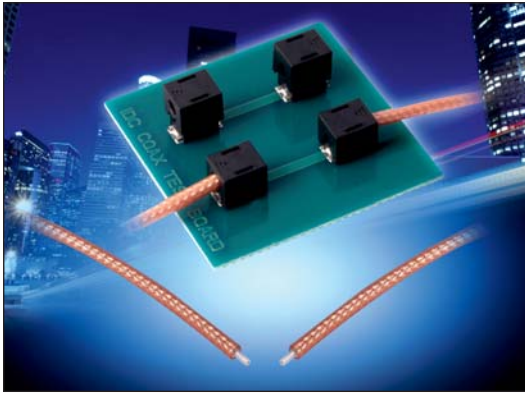


IDC SMT Coax Connector



Series 9178



AVX has developed a unique 50 Ohm SMT Coax Connector based on our industry proven discrete wire Insulation Displacement Connector (IDC) technology. By combining two different sized IDC contacts, we can reliably pierce the center conductor and outside jacket dielectric materials to make electrical connection to the signal wire and braid (ground connection). Designed specifically for RG178 cable, the concept can be applied to other cable sizes.

The connector comes with a pre-attached cap in tape & reel packaging. The coax cable only needs the outer jacket and braid stripped. The cable is then inserted into the connector and the cap can be pressed down via a small press or hand tool. The biggest advantage of this connector is that it is extremely easy to terminate, no soldering, additional stripping processes or crimp tools are needed. The all plastic design is more cost effective than plated screw machine components while providing a VSWR less than 1.2:1 in excess of 700MHz.

APPLICATIONS

- Reliable & Repeatable termination of RG178 coax cable to a PCB to replace hard solder connections
- Cost effective replacement of standard coax connectors in low frequency applications for RG178 cable
- Standard Microminiature type RF products: GPS, Radio Boards, Meters, RFID and data communications
- Application notes: refer to 201-01-131

FEATURES AND BENEFITS

- “Gas Tight” IDC termination for long term reliability
- Simple strip, insert and press down termination process
- High temperature endurance testing for 1000 hrs at 125°C
- Industrial operating temperature range for harsh environments

ELECTRICAL

- Current Rating: 0.5A (Current limit is cable dependent)
- Voltage Rating: 125V
- VSWR less than 1.2:1 in excess of 700MHz

ENVIRONMENTAL

- Operating Temperature: -40°C to +125°C

MECHANICAL

- Insulator Material: Nylon 46: UL94V0
- Contact Material: Phosphor Bronze, Tin Plated
- Latching Cap: Single Use
- Cable retention: 10N in each axis

HOW TO ORDER

00	9178	00X	00X	X	06															
Prefix	Series	Number of Ways	Cable Type	Insulator Color	Plating Option															
		<table border="1"> <thead> <tr> <th>Code</th> <th>No of Ways</th> <th>Details</th> </tr> </thead> <tbody> <tr> <td>001</td> <td>1</td> <td>Page 2</td> </tr> </tbody> </table>	Code	No of Ways	Details	001	1	Page 2	001 = RG178B/U (M17/93-RG178)	<table border="1"> <thead> <tr> <th>Code</th> <th>Color</th> <th>Application</th> </tr> </thead> <tbody> <tr> <td>0</td> <td>Black</td> <td>Industrial</td> </tr> <tr> <td>1</td> <td>White</td> <td>Lighting</td> </tr> </tbody> </table>	Code	Color	Application	0	Black	Industrial	1	White	Lighting	06 = Pure Tin all over
Code	No of Ways	Details																		
001	1	Page 2																		
Code	Color	Application																		
0	Black	Industrial																		
1	White	Lighting																		

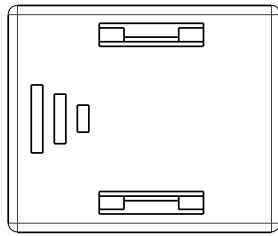


IDC SMT Coax Connector

Series 9178

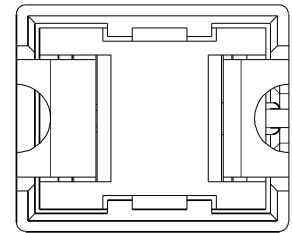
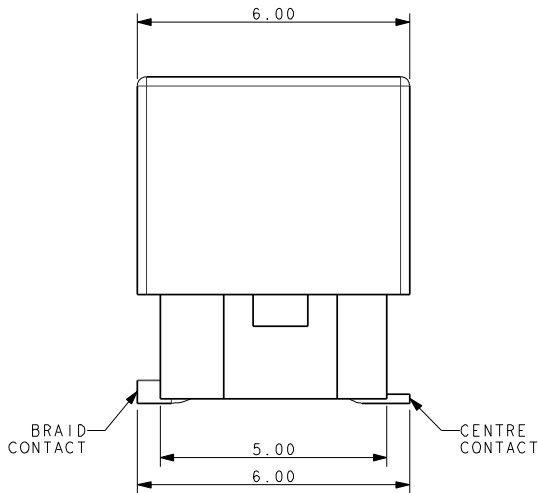
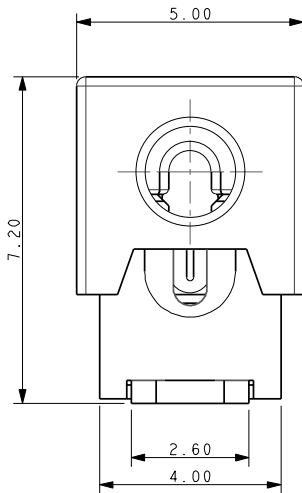
CONNECTOR DETAILS - RG178B/U

CABLE INSERTION DIRECTION
ALSO REFER TO PAGE 4 FOR
PACKING ORIENTATION



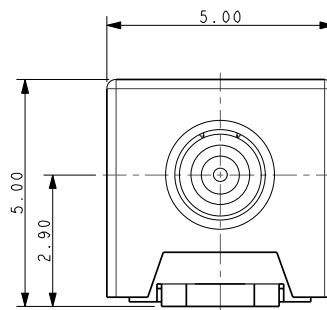
NOTES:

1. CONNECTOR FOR RG178B/U (M17/93-RG178) MIL SPEC COAX CABLE. FOR OTHER CABLES REFER TO AVX FOR FURTHER INFORMATION.
2. FOR FURTHER DETAILS REFER TO ELCO PRODUCT SPECIFICATION 201-01-130 AND APPLICATION NOTES 201-01-131.
3. GENERAL TOLERANCE ± 0.20 UNLESS SPECIFIED.
4. CONNECTOR SUPPLIED AS SHOWN WITH THE CAP IN THE UP POSITION.



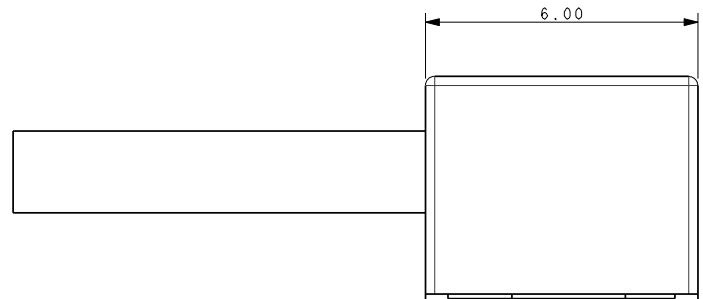
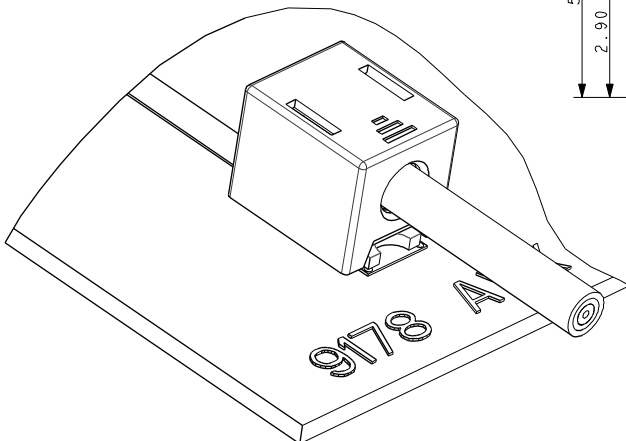
WIRED CONNECTOR

TRIM LENGTH 2.30 ± 0.20
BRAID AND OUTER JACKET ONLY

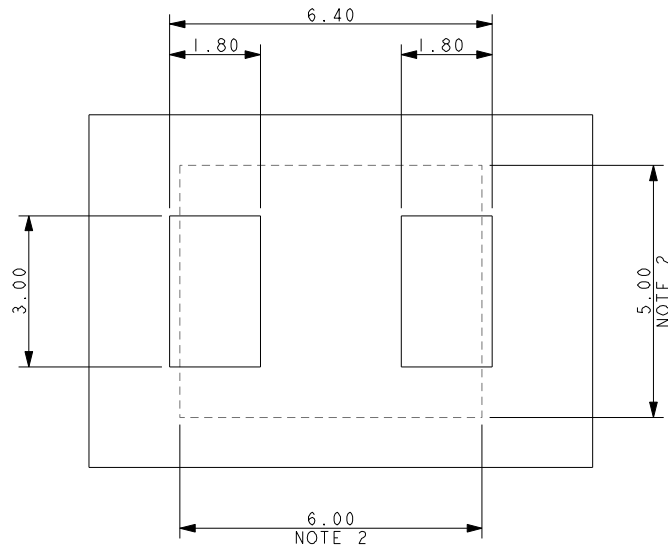


NOTES:

1. CONNECTOR SHOWN IN ASSEMBLED CONDITION, CAP PUSHED DOWN.
2. CAP LOCKS IN LOWER POSITION, TERMINATION CANNOT BE REMADE.
3. FOR FULL DETAILS REFER TO APPLICATION NOTES 201-01-131.
4. CONNECTOR FOR RG178B/U (M17/93-RG178) MIL SPEC COAX CABLE ONLY.
5. ALL LOOSE MATERIAL MUST BE REMOVED FROM TRIMMED CABLE.



SUGGESTED PCB LAYOUT

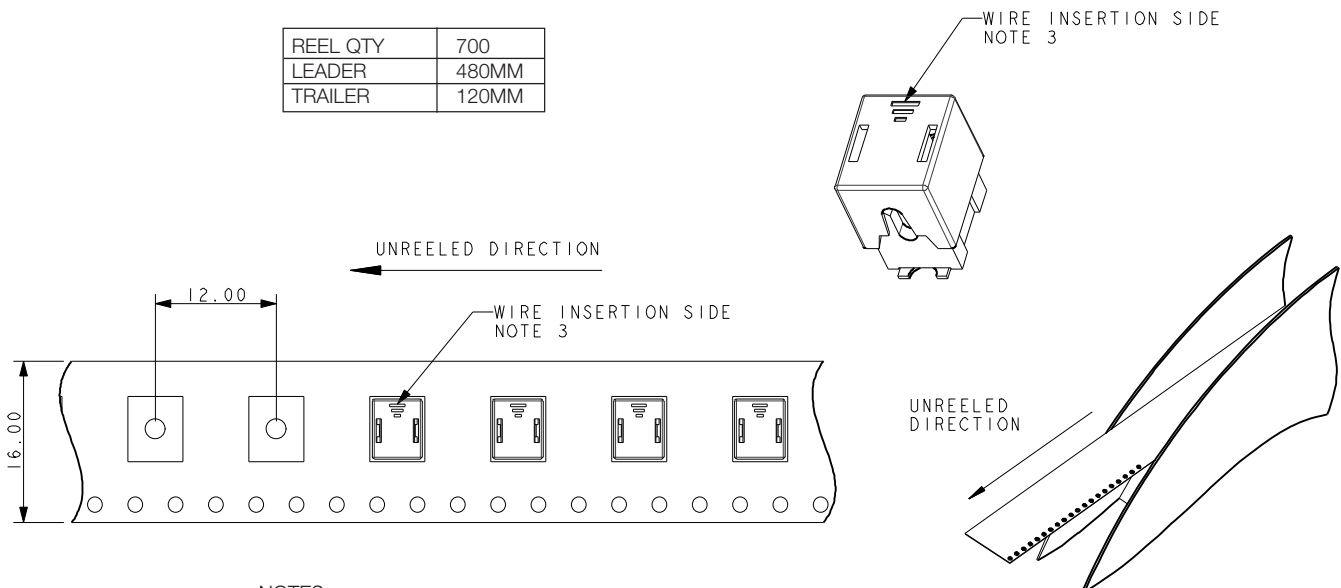


NOTES:

1. PADS SHOWN FOR CONNECTOR FEET ONLY, OTHER DETAILS WILL DEPENDS ON THE CUSTOMERS PCB SPECIFICATION AND PERFORMANCE REQUIREMENTS.
2. OUTLINE OF THE CONNECTOR.
3. TYPICAL CIRCUIT CONFIGURATION:
BRAID CONNECTED THROUGH BOARD TO GROUND PLANE.
CENTER CONDUCTOR TRACK 1.5MM WIDE ON 0.8MM THICK PCB

PACKING DETAILS

REEL QTY	700
LEADER	480MM
TRAILER	120MM



NOTES:

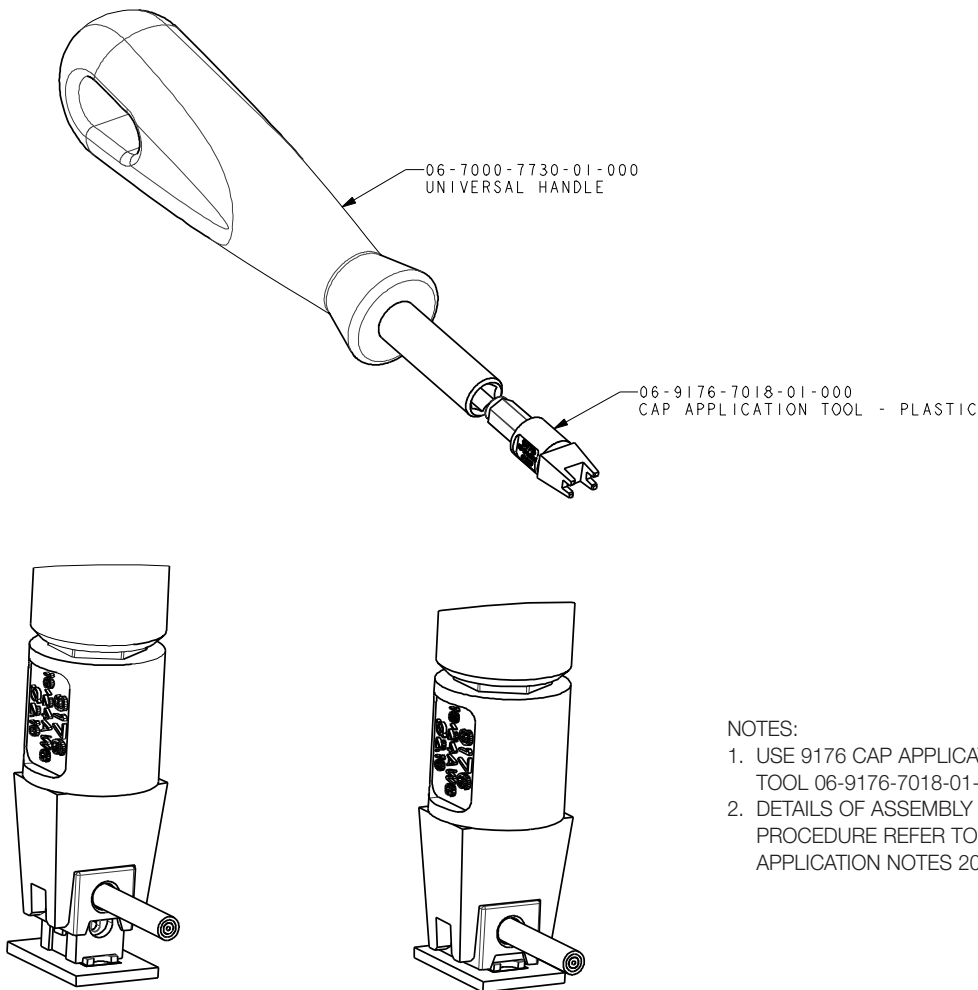
1. PACKING IN TAPE AND REEL.
2. PIECES PER REEL.
3. PARTS TO BE IN THE CORRECT ORIENTATION.

IDC SMT Coax Connector



Series 9178

HAND ASSEMBLY TOOL



NOTES:

1. USE 9176 CAP APPLICATION TOOL 06-9176-7018-01-000.
2. DETAILS OF ASSEMBLY PROCEDURE REFER TO APPLICATION NOTES 201-01-131.

NOTICE: Specifications are subject to change without notice. Contact your nearest AVX Sales Office for the latest specifications. All statements, information and data given herein are believed to be accurate and reliable, but are presented without guarantee, warranty, or responsibility of any kind, expressed or implied. Statements or suggestions concerning possible use of our products are made without representation or warranty that any such use is free of patent infringement and are not recommendations to infringe any patent. The user should not assume that all safety measures are indicated or that other measures may not be required. Specifications are typical and may not apply to all applications.

© AVX Corporation

AMERICAS

AVX Myrtle Beach, SC
Tel: 843-448-9411

AVX Northwest, WA
Tel: 360-699-8746

AVX Midwest, IN
Tel: 317-861-9184

AVX Mid/Pacific, CA
Tel: 408-988-4900

AVX Northeast, MA
Tel: 617-479-0345

AVX Southwest, CA
Tel: 949-859-9509

AVX Canada
Tel: 905-238-3151

AVX South America
Tel: +55-11-4688-1960

EUROPE

AVX Limited, England
Tel: +44-1252-770000

AVX S.A.S., France
Tel: +33-1-69-18-46-00

AVX GmbH, Germany
Tel: +49-8131-9004-0

AVX SRL, Italy
Tel: +39-02-614-571

AVX Czech Republic
Tel: +420-57-57-57-521

AVX/ELCO UK
Tel: +44-1638-675000

ELCO Europe GmbH
Tel: +49-2741-299-0

AVX S.A., Spain
Tel: +34-91-63-97-197

AVX Benelux
Tel: +31-187-489-337

ASIA-PACIFIC

AVX/Kyocera (S) Pte Ltd.,
Singapore

Tel: +65-6286-7555

AVX/Kyocera, Asia, Ltd.,
Hong Kong

Tel: +852-2363-3303

AVX/Kyocera Yuhan Hoesa,
South Korea

Tel: +82-2785-6504

AVX/Kyocera HK Ltd.,
Taiwan

Tel: +886-2-2656-0258

AVX/Kyocera (M) Sdn Bhd,
Malaysia

Tel: +60-4228-1190

AVX/Kyocera International
Trading Co. Ltd.,
Shanghai

Tel: +86-21-3255 1933

AVX/Kyocera Asia Ltd.,
Shenzhen

Tel: +86-755-3336-0615

AVX/Kyocera International
Trading Co. Ltd.,
Beijing

Tel: +86-10-6588-3528

AVX/Kyocera India

Liaison Office

Tel: +91-80-6450-0715

ASIA-KED

(KYOCERA Electronic Devices)

KED Hong Kong Ltd.

Tel: +852-2305-1080/1223

KED Hong Kong Ltd.

Shenzhen

Tel: +86-755-3398-9600

KED Company Ltd.
Shanghai

Tel: +86-21-3255-1833

KED Hong Kong Ltd. Beijing

Tel: +86-10-5869-4655

KED Taiwan Ltd.

Tel: +886-2-2950-0268

KED Korea Yuhan Hoesa,

South Korea

Tel: +82-2-783-3604/6126

KED (S) Pte Ltd.

Singapore

Tel: +65-6509-0328

Kyocera Corporation

Japan

Tel: +81-75-604-3449

