

RELÉS MINIATURIZADOS 003REL001



LEG 1A — 12 F L
 1 2 3 4 5

FEATURES

- 15 Acube relay.
- 1 Form C (1PDT) contact arrangement.
- Plastic material applied in high temperature better chemical solution.
- Sealed type for washing procedure.
- Using at domestic appliances, office machines, audio equipment, coffee pot, control units, etc.

ORDERING INFORMATION

- | | |
|------------------------|----------------------------|
| 1.Type. | 3.Coil Nominal Voltage. |
| 2.Contact Arrangement. | 4.Contact Rating. |
| Nil: 1Form C(1PDT) | F: 15A, 0.36W |
| 1A: 1Form A(1PST-NO) | 5.L:08W - M:045W - F:0.64W |

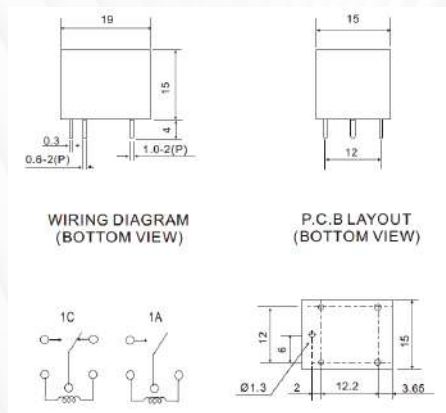
CONTACT RATING

Resistive (Cos.θ=1)
AC 240V/DC 24V - 15 A

COIL DATA(0.36W,0.45W,0.8W,0.64W at 25 C)

Coil Nominal Voltage (VDC)	Resistance Tol.±10% (Ohms)				Nominal Current (mA)				Maximum Pick Up Voltage (V)	Minimum Drop Out Voltage (V)
	0.36W	0.45W	0.8W	0.64W	0.36W	0.45W	0.8W	0.64W		
3	25	20	11.3		120	150	265		2.1	0.3
5	70	55	31		72	90.9	161		3.5	0.5
6	100	80	45	56	60	75	133	107	4.2	0.6
9	225	320	101	127	40	50	89.1	70.8	6.3	0.9
12	400	720	180	225	30	37.5	66.6	53.3	8.4	1.2
24	1,600	1,280	740	900	15	18.5	32.4	26.7	16.8	2.4
48	6,400				7.5				33.6	4.8

DIMENSIONS (±0.2mm)



GENERAL DATA

Insulation Resistance	100 MΩ Min. (DC 500V)
Dielectric Strength	750 VAC, 50/60Hz between contact.
	1,500 VAC, 50/60Hz between all elements.
Contact Material	Ag Alloy.
Contact Resistance	100 milliohms max. (initial value)
Shock Resistance	Malfunction: 10G(11ms) ; Destructive: 100G(6ms)
Vibration Resistance	Malfunction: 10 to 55 Hz. at Double Amplitude of 1.5 mm
	Destructive: 10 to 55 Hz. at Double Amplitude of 1.5 mm
Operation Time	8 ms max.
Release Time	8 ms max.
Temperature Range	- 30°C ~ + 85°C
Expected Life	With operation rate 30/min.
	Mechanical - 10,000,000 operations min. Electrical - 50,000 operations min. at rated load.
Weight	9 grams

