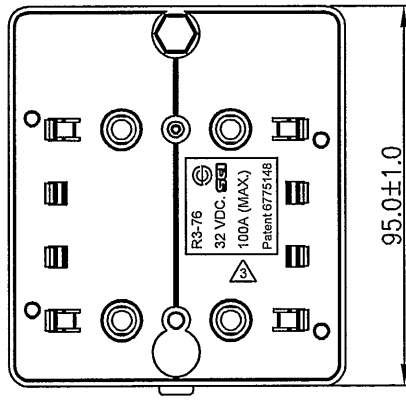
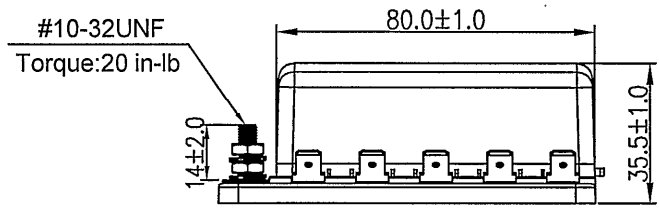
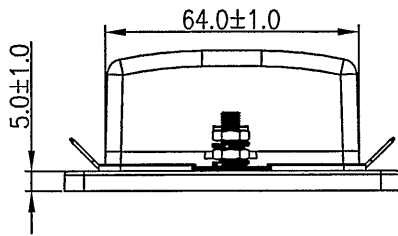
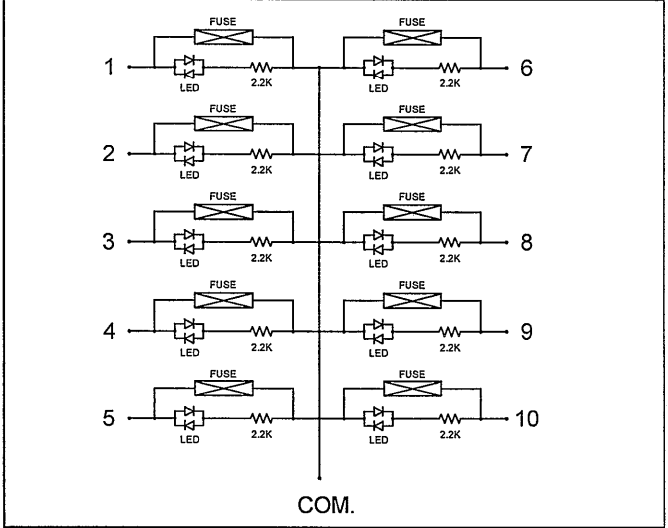
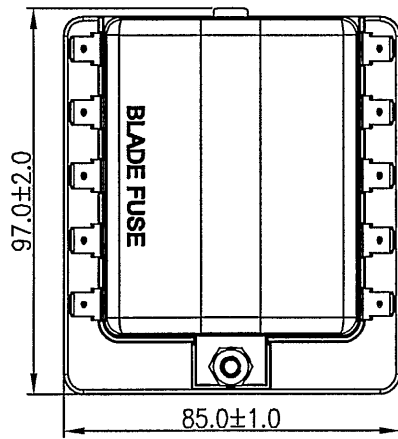


Voltage (Max.)	32 VDC.	Mounting Holes	Blade Fuse Dim.
Input Terminal Rating	#10-32 threaded studs (100A max.)		
Output Terminal Rating	30A max. per circuit.		
Connection Pad Option Available	Input wire size : #4-6 AWG. Output wire size : #12-16 AWG.	Terminal Dim.	
Fuse Specifications	For Blade Fuses Used Only		
Torque Rating	20 in-lb (2.25Nm) max.		
Mounting Torque Rating	8 in-lb (0.9Nm) max.		
Temperature Rating	-20 °C to 85 °C	Circuit Diagram	



R3-76

Material :
 Cover : PC. (Transparent)
 Housing , Base : PBT. (Black)
 Push Button : POM. (White)
 Terminal : Tin. plating Copper

Notes :
 1. Rating 100A max. tested by 4 pcs. 25A load.

*新結構

								△
								△
Date	Name	Description					No.	
Drawn	Checked	Approved	SCI BOM No.	1310661	Model Name	BLADE FUSE BOX (10P)		
柳新強	柳新強	<i>Simon</i>	Customer No.		Model No.	R3-76-01-3L110	Rev.	
03/17/17	5/2-17	5/2-17	Unit	mm	Shin Chin Industrial Co., Ltd.			0