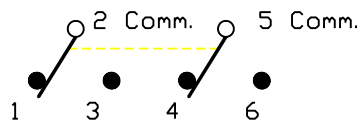
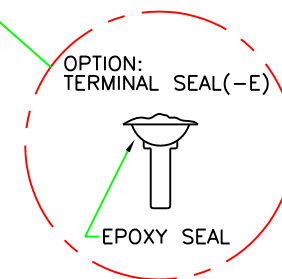
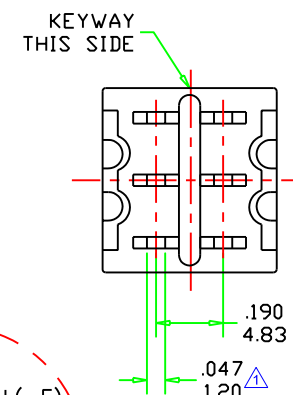
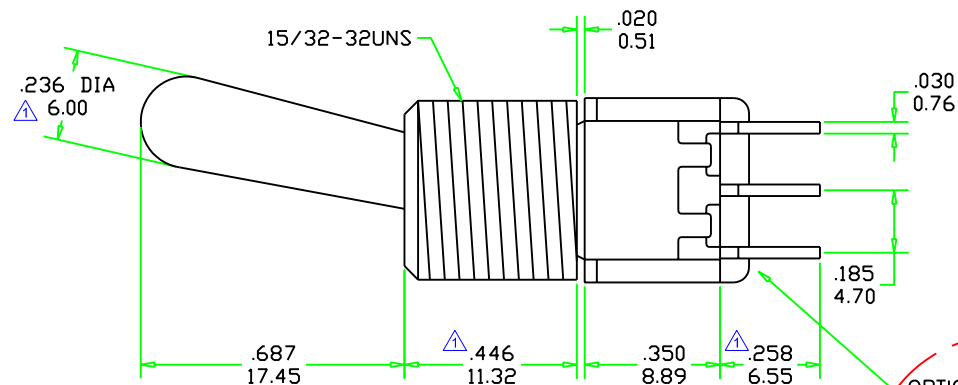
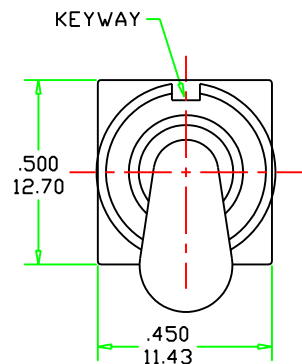
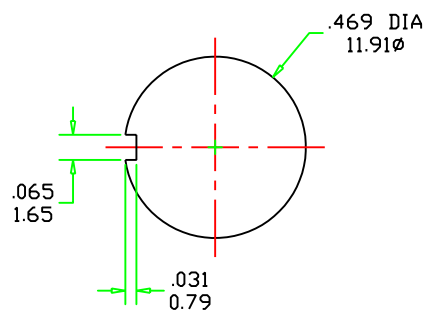


DIMENSIONS

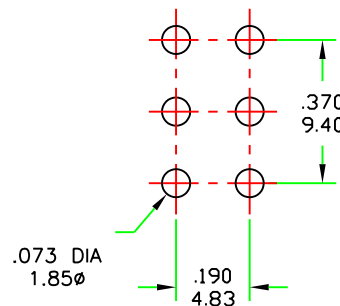


Schematic

PANEL MOUNTING
15/32 IN. BUSHING



P.C. MOUNTING



Actuator/Bushing Option	Type
Z1	Standard
Z3	Anti-rotation
Z1L	Splash water proof

Model No.	Switching Position		
T8011	ON	NONE	ON
T8011A	ON	NONE	(ON)
T8012	ON	OFF	ON
T8012A	(ON)	OFF	(ON)
T8012B	ON	OFF	(ON)
Term. Comm.	2-3,5-6	OPEN	2-1,5-4

					Range	Tolerance	Part no. T801*-Z*(L)C	SH 興瀚企業股份有限公司 SALECOM. ELECTRONICS CO., LTD.	Approved		
	1	重新校對尺寸; 變更圖面圖框		11.08.09	0 ~ 1	±0.10	Dwg no. SWT8011-018		Checked		
	0	NEW		04.09.21	1 ~ 4	±0.20	Part Name.	Scale 2:1	Drawer	Jessica	
Zone	Rev.	Description	Reviser	Date	4 ~ 16	±0.30	T80-T/ DPDT MINIATURE TOGGLE SWITCHES		Unit m/m (inch)	Rev. 1	Date
					16 ~ 20	±0.40					